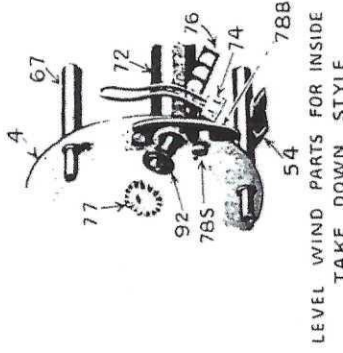
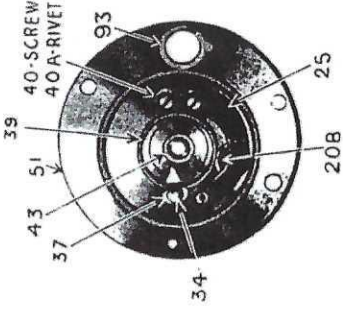
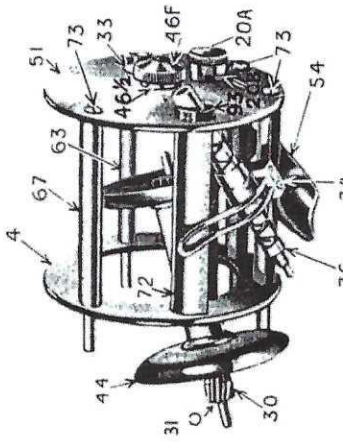
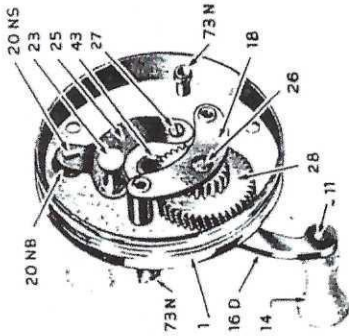
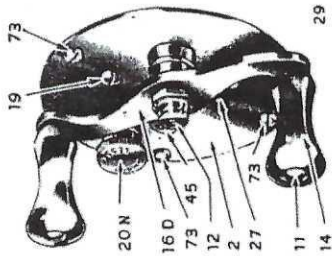
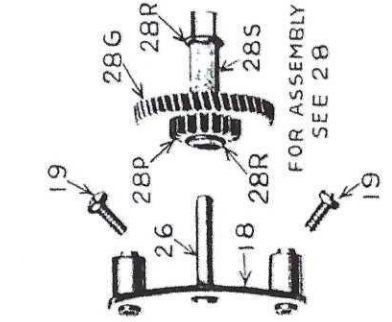


August 11, 1947

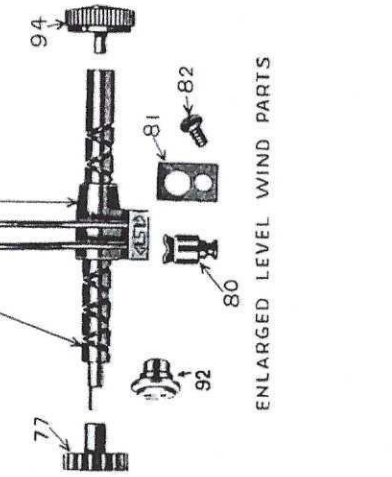
SHAKESPEARE COMPANY
KALAMAZOO, MICHIGAN
FINE FISHING TACKLE



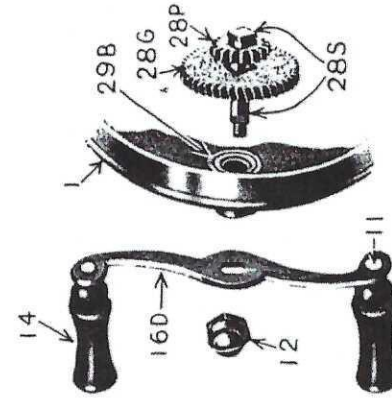
LEVEL WIND PARTS FOR INSIDE TAKE DOWN STYLE



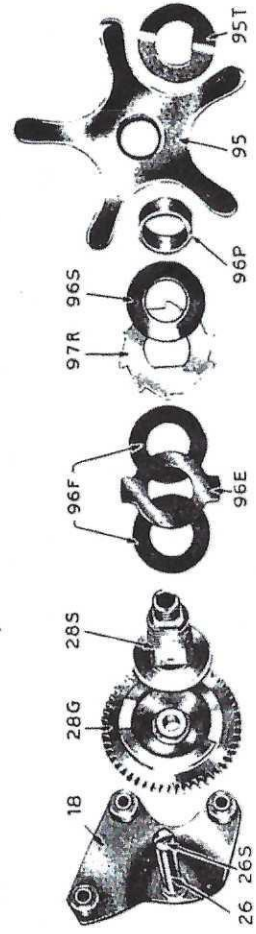
CRANK, GEAR & BRIDGE PARTS FOR 1956 TAKE DOWN STYLE DRIVE GEAR



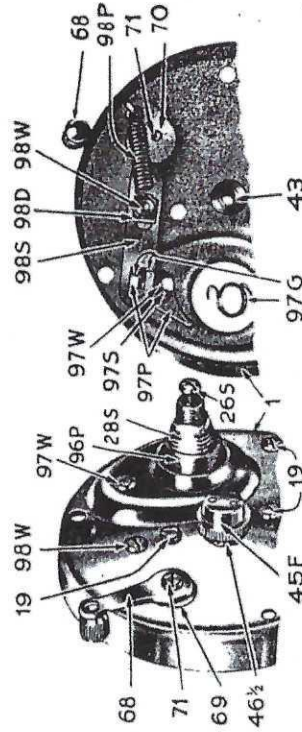
ENLARGED LEVEL WIND PARTS



CRANK & GEAR PARTS FOR GEAR STEM BEARING STYLE L.W. REEL LIKE 1905



1944 SERVICE DRIVE GEAR AND STAR DRAG PARTS



1944 SERVICE THROWOUT PARTS FOR NON-REVERSING CRANK