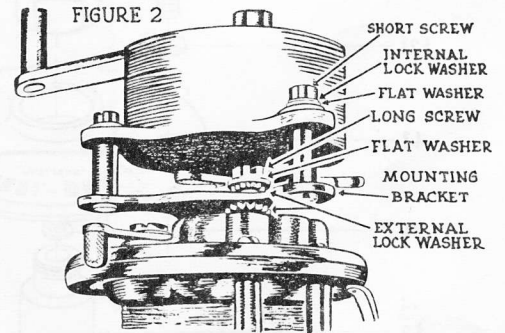
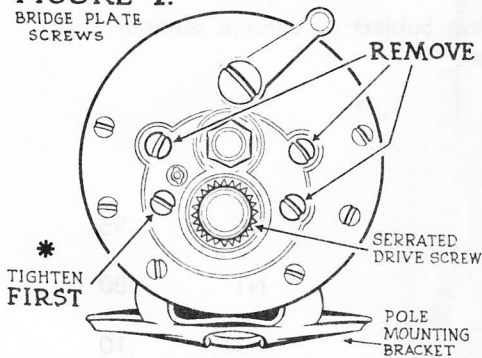


# INSTRUCTIONS

## FOR MOUNTING "REEL-DEAL" TRANSMISSION

FIGURE 1.  
BRIDGE PLATE  
SCREWS



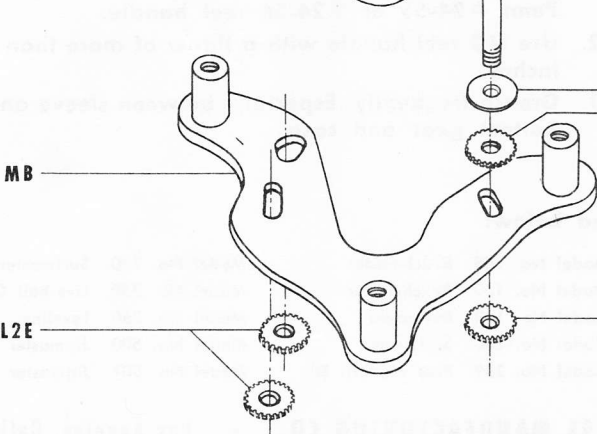
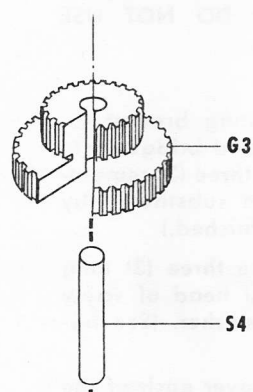
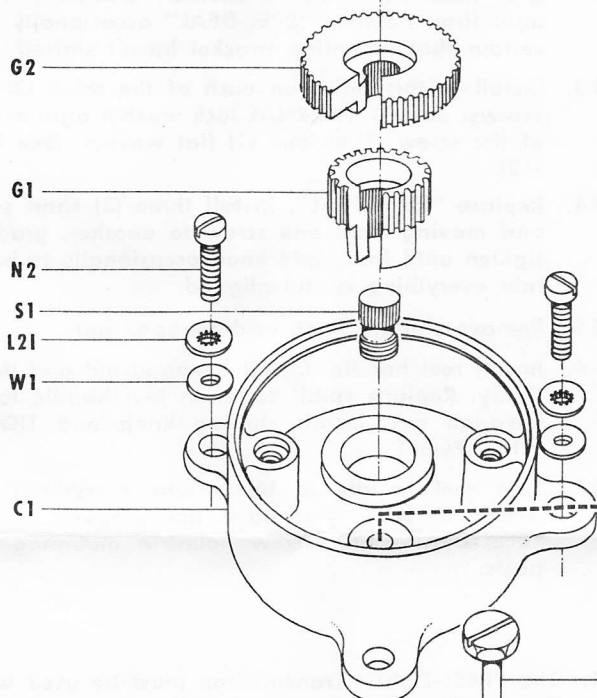
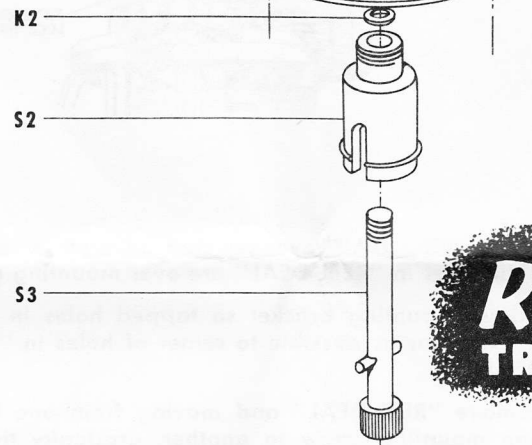
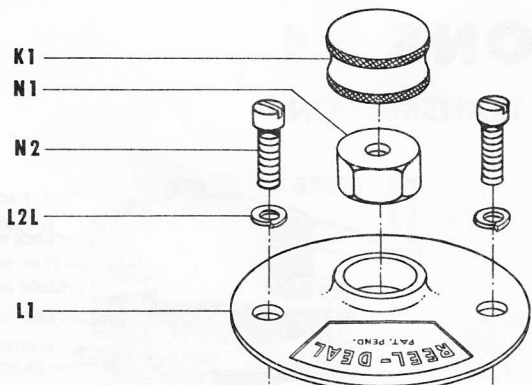
1. Remove reel handle with wrench furnished with your Penn Reel.
2. Tighten drag star.
3. Fill end of reel shaft with grease. Install  $\frac{1}{4}$ " serrated drive screw and tighten firmly. (When shift lever in "REEL-DEAL" is shifted halfway, unit is locked and serrated hole in bottom of unit can be used to tighten serrated screw.) DO NOT USE PLIERS.
4. Remove drag star.
5. Hold reel upright with pole mounting bracket toward you and tighten lower left hand bridge-plate screw. (See figure #1). Remove the three (3) remaining bridge-plate screws. (These are substituted by three (3) longer screws that are furnished.)
6. Install in this order on each of the three (3) long screws, one (1) flat washer against head of screw and then one (1) EXTERNAL lock washer. (See figure #2).
7. With reel still in upright position, cover each of the exposed holes with an EXTERNAL lock washer. Carefully place mounting bracket. Put screws in holes.
8. Tighten screws so mounting bracket can be moved by using a small amount of force.
9. Replace drag star and tighten firmly.
10. Place "REEL-DEAL" over serrated drive screw. Rotate until holes in "REEL-DEAL" are over mounting posts.
11. Adjust mounting bracket so tapped holes in posts are as near as possible to center of holes in "REEL-DEAL."
12. Remove "REEL-DEAL" and moving from one hexagon mounting screw to another, gradually tighten until firm. Replace "REEL-DEAL" occasionally to be certain that mounting bracket hasn't shifted.
13. Install in this order on each of the three (3) short screws: one (1) INTERNAL lock washer against head of the screw. Then one (1) flat washer. (See figure #2).
14. Replace "REEL-DEAL". Install three (3) short screws and moving from one screw to another, gradually tighten until firm. Spin knob occasionally to be certain everything is still aligned.
15. Remove shifting knob and hexagon nut.
16. Install reel handle. Install hexagon nut and tighten firmly. Replace small screw in reel handle to lock hexagon nut. Install shifting knob and TIGHTEN WITH PLIERS.
17. Spin reel handle to be certain everything turns freely. IF NOT, you have not properly centered "REEL-DEAL" over screw holes in mounting plate posts.

## IMPORTANT

1. The "REEL-DEAL" Transmission must be used with a Penn #24-55 or #24-56 reel handle.
2. Use NO reel handle with a throw of more than three inches.
3. Grease frequently. Especially between sleeve and lid; bottom gear and case.

The "REEL-DEAL" transmission will fit all Penn Reels listed below:

Model No. 25	Monofil	Model No. 110	Senator	Model No. 155	Beachmaster	Model No. 250	Surfmaster
Model No. 26	Monofil	Model No. 140	Squidder	Model No. 160	Beachmaster	Model No. 259	Live-Bait Caster
Model No. 27	Monofil	Model No. 145	Squidder	Model No. 180	Baymaster	Model No. 350	Leveline
Model No. 99	Silver Beach	Model No. 146	Squidder Jr.	Model No. 200	Surfmaster	Model No. 500	Jigmaster
Model No. 100	Surfmaster	Model No. 150	Surfmaster	Model No. 209	Peer Monofil Sr.	Model No. 501	Jigmaster Jr.



**PARTS AND PRICE LIST**  
**REEL-DEAL Transmission Model #110**

Suggested retail price. Subject to change without notice.

K1	.95
N1	.80
N2	.10
L2L	.10
L1	3.05
K2	.15
S2	5.35
S3	5.10
G2	5.35
G1	4.55
S1	2.55
L2I	.10
W1	.10
C1	4.55
MB	4.35
L2E	.10
G3	6.45
S4	.55
B1	.75