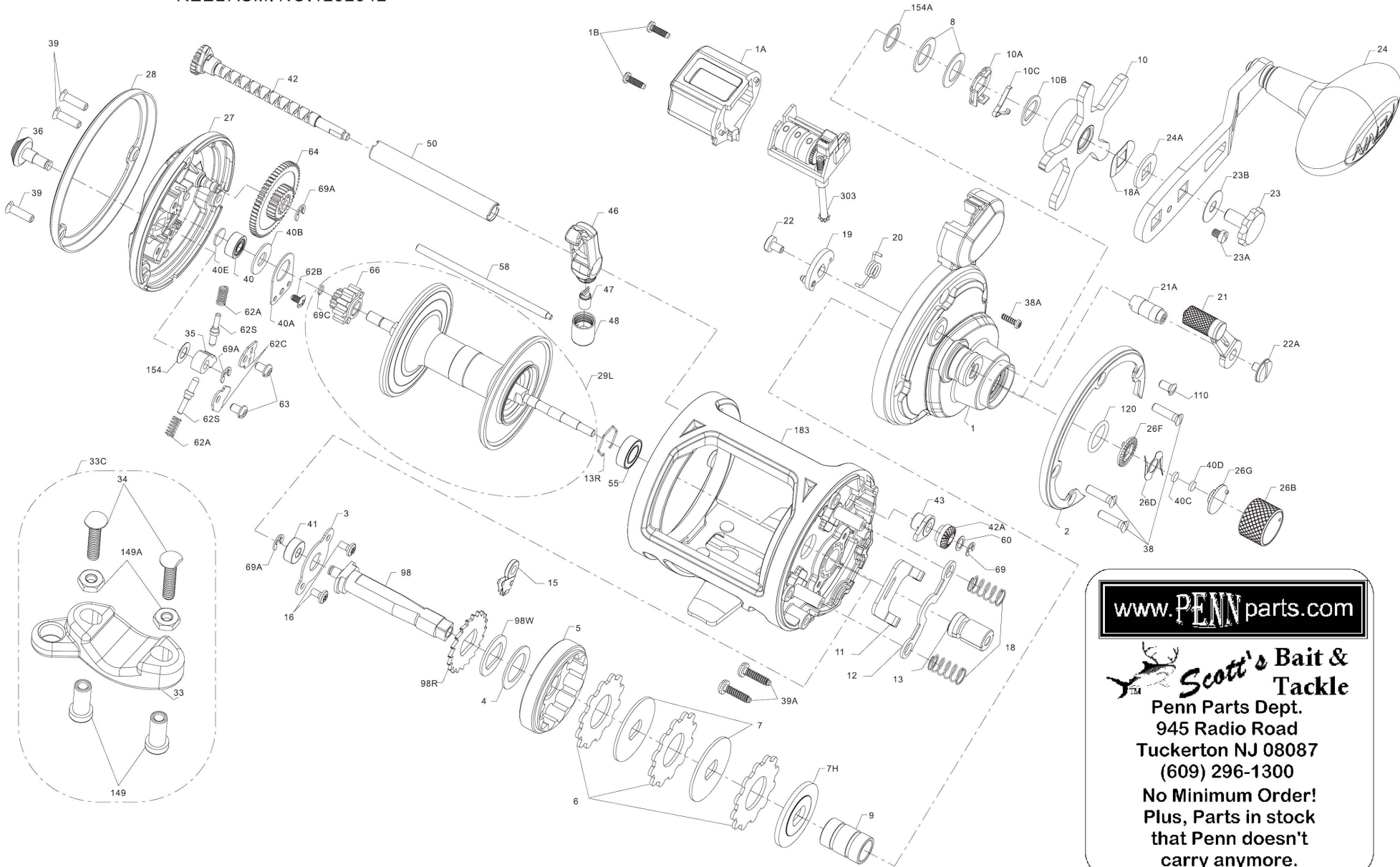




# PARTS LIST FOR SQUALL MODEL 20LWLC

REEL ASM. NO.1292942



[www.PENNparts.com](http://www.PENNparts.com)

 **Scott's Bait & Tackle**  
Penn Parts Dept.  
945 Radio Road  
Tuckerton NJ 08087  
(609) 296-1300  
No Minimum Order!  
Plus, Parts in stock  
that Penn doesn't  
carry anymore.

**SBT Ver 070513**  
(Based on Penn's Rev. 1 - 4-6-2013)

# Penn Reel Parts list for Model: SQL20LWLC Squall 20 Levelwind Line Counter

KEY NO	Penn Part Number	PureFishing Part#	DESCRIPTION	KEY NO	Penn Part Number	PureFishing Part#	DESCRIPTION
1	1-SQL20LC	1308790	HANDLE SIDE PLATE	34C	34C-45	1182862	ROD CLAMP SCREWS W/ NUTS
1A	1A-SQL20LC	1308791	LINE COUNTER COVER	35	35-SQLLW	1308758	CLICK TONGUE
1B	46-430G	1191902	SCREW, F/LINE COUNTER COVER (2 REQ.)	36	36-SQLLW	1308759	CLICK BUTTON
2	2-SQL20LC	1308792	RING, HANDLE SIDE PLATE	38	38-SQLLW	1308760	SCREW (4 REQ.)
3	3-SQL15LW	1308743	BRIDGE	38A	38A-SQLLC	1308794	SCREW
4	4-60	1180755	FIBER WASHER	39	39-SQLLW	1308761	SCREW (3 REQ.)
5	5-SQL15LW	1308744	MAIN GEAR	39A	39A-30SLD	1258668	SCREW, SELF-TAPPING (2 REQ.)
6	6-TRQ40	1237037	FRICTION DRAG WASHER (3 REQ.)	40	40-FTH20LW	1188661	BALL BEARING
7	86-49L	1184251	KEYED METAL DRAG WASHER (2 REQ.)	40A	40A-FTH20LW	1188663	BALL BEARING RETAINER
7H	7H-FTHSD12	1242788	HEAVY METAL DRAG WASHER	40B	40B-FTH20LW	1188662	FELT WASHER
8	8-FTH20LW	1188709	TENSION SPRING WASHER (2 REQ.)	40C	40C-525MAG2	1208115	METAL THRUST WASHER
9	9-FTH20LW	1188708	TENSION SPRING WASHER	40D	40D-525MAG2	1125771	RUBBER THRUST WASHER
10	10-FTH20LW	1188713	STAR DRAG	40E	40E-SQLLW	1308762	BRONZE WASHER
10A	10A-FTH20LW	1188711	STAR CLICK RETAINER	41	41-SQL15LW	1308763	BUSHING
10B	10B-FTH20LW	1188710	STAR CLICK WASHER	42	42-SQL20LC	1308795	WORM SHAFT ASSEMBLY
10C	10C-525MAG2	1188712	STAR CLICK SPRING	42A	42A-SQL20LC	1308796	GEAR, LINE COUNTER DRIVE
11	11-SQL15LW	1308745	ECCENTRIC JACK	43	43-FTH20LW	1188669	WORM SHAFT BUSHING
12	12-SQL15LW	1308746	PINION YOKE	46	46-FTH20LW	1208119	LINE GUIDE ASSEMBLY
13	13-SQL15LW	1308747	PINION GEAR	47	47-FTH20LW	1188672	LINE GUIDE PAWL
13R	13R-SQL15LW	1308748	RETAINING RING	48	48-FTH20LW	1208120	LINE GUIDE NUT
15	15-FTH20LW	1188675	ANTI REVERSE DOG	50	50-SQL20LW	1308773	WORM SHIELD
16	16-SQLLW	1308749	SCREW (2 REQ.)	55	55-SQL15LW	1308764	BALL BEARING
18	18-FTH20LW	1188688	PINION YOKE SPRING (2 REQ.)	58	58-FTH25LW	1188730	LINE GUIDE POST
18A	18A-FTH20LW	1188714	KEYED SPRING WASHER	60	60-FTH20LW	1188670	WORM SHAFT WASHER
19	19-SQL15LW	1308750	ECCENTRIC	62A	62A-310	1184033	CLICK SPRING (2 REQ.)
20	20-FTH20LW	1188689	ECCENTRIC SPRING	62B	62B-SQLLW	1188722	BEARING RETAINER SCREW
21	21-SQL15LW	1308751	ECCENTRIC LEVER	62C	62C-321LH	1184041	CLICK SPRING COVER (2 REQ.)
21A	21A-SQL15LW	1308752	ECCENTRIC PIN	62S	62S-SQLLW	1308765	CLICK PIN (2 REQ.)
22	22-FTH20LW	1188690	ECCENTRIC SCREW	63	63-500S	1184052	CLICK SPRING SCREW (2 REQ.)
22A	22-525MAG2	1214705	ECCENTRIC LEVER SCREW	64	64-FTH20LW	1188658	IDLER GEAR
23	23-FTH20LW	1208117	HANDLE NUT	66	66-FTH20LW	1188678	SPOOL GEAR CLICK RATCHET
23A	23A-FTH20LW	1188717	HANDLE LOCK SCRE4W	69	69-SQL20LC	1308797	RETAINER 2.5*6
23B	23B-FTH20LW	1207784	HANDLE SCREW WASHER	69A	69A-FTH20LW	1188659	RETAINER 3*7 (4 REQ.)
24	24-SQLSD	1276618	HANDLE	69C	69C-FTH20LW	1188677	RETAINER "C" RING
24A	24A-FTH20LW	1188715	HANDLE THRUST WASHER	98	98-FTH20LW	1188700	MAIN GEAR SHAFT
26B	26B-SQLLW	1308753	SPOOL TENSION CAP	98R	98R-FTHSD12	1242800	ANTI REVERSE RATCHET
26D	26D-525MAG2	1125769	SPOOL TENSION CLICK SPRING	98W	98W-FTHSD12	1242801	RATCHET THRUST WASHER
26F	26F-525MAG2	1125768	SPOOL TENSION RATCHET "INNER"	110	110-50	1184436	SCREW
26G	26G-525MAG2	1125772	SPOOL TENSION RATCHET "OUTER"	120	120-SQLLW	1308766	O-RING
27	27-SQL20LC	1308793	NON-HANDLE SIDE PLATE	149	149-45	1184702	ROD CLAMP NUT (2 REQ.)
28	28-SQL15LW	1308755	NON-HANDLE SIDE RING	149A	149-200	1184706	ROD CLAMP HEX NUT (2 REQ.)
29L	29L-SQL20LW	1308772	ALUMINUM SPOOL	154	154-117	1184721	CLICK BUTTON WASHER
33	33N-113	1182754	ROD CLAMP	154A	154A-SQL15LW	1308767	MAIN GEAR SHAFT WASHER
33C	33C-SQLSD	1276626	ROD CLAMP KIT	183	183-SQL20LC	1308798	FRAME
34	34-45	1182788	ROD CLAMP SCREW (2 REQ.)	303	303-SQL20LC	1308799	COUNTER WHEEL ASSEMBLY

**NOTE:**

Many of [www.pennparts.com](http://www.pennparts.com) schematics include changes that were either made by Penn, or errors found and corrected by our parts dept.

**SBT VER. 070513 (Based on Penn's Rev 1, 4-6-2013)**